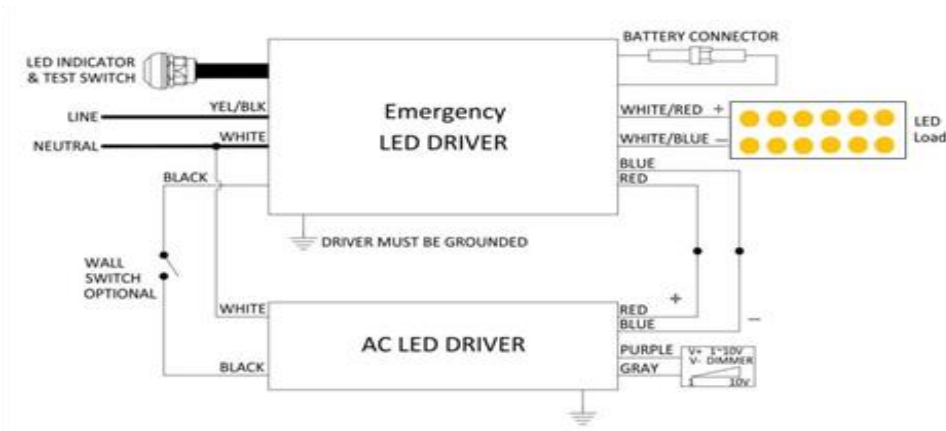


## Selecting and Wiring - Assurance L -CEC Series LED Emergency Drivers



Typical L-CEC Wiring Diagram

## Selecting the Correct L-Series LED Emergency Driver

LED Emergency Drivers enable LED fixtures with Class 2 AC Drivers, to be converted to Emergency Fixtures, providing 90-minute (or 120 Minutes) backup in the event of a power outage. Assurance Constant Power LED Emergency Drivers are UL Listed and can be field or factory installed.

1. Make sure the Emergency Driver is compatible with the AC Driver.
  - A. The AC Driver must be Class 2 (Output Voltage not greater than 60VDC)
  - B. The output of the Emergency Driver must not exceed the power of the AC Driver delivered to the LED Array.

Example: An LED fixture with a 20W AC Driver could use an 5W, 10 or 20W Emergency Driver, but not a 25W Emergency Driver.

2. Calculating Emergency Lumen output:

Assurance Emergency Drivers provide constant power output for 90 minutes. To determine the Emergency Driver output in lumens, simply multiply the Luminaire efficacy (lumens / watt) times the Emergency Driver output (W).

3. Ensure that the emergency lighting has been selected, installed, and verified to meet local, state and national codes.

For more detailed instructions, please see L Series LED Emergency Driver Installation Instructions:

# Wiring Procedures

## Wiring- Before you begin

- Disconnect AC Power from the LED Luminaire.
- Do not join the battery connector until installation is complete.

## Step 1. LED Driver and LED Load Connections

- Disconnect the Normal Driver from the LED Load.
- Connect the Normal Driver to the Emergency Driver:
  1. Connect the (+) red wire from the Emergency Driver to the (+) wire of the Normal Driver.
  2. Connect the (-) blue wire from the Emergency Driver to the (-) wire of the Normal Driver.
  3. Connect the (+) white/red wire from the Emergency Driver to the (+) input of the LED Load.
  4. Connect the (-) white/blue wire from the Emergency Driver to the (-) input of the LED Load.

## Step 2. Power Connections

- Disconnect the incoming neutral wire from the Normal Driver
- Connect the white wire from the Emergency Driver to the neutral of the Normal Driver and Line Neutral.
- Connect the yellow/black wire from the Emergency Driver to constant unswitched power from the circuit panel.
- Connect black wire from the Emergency Driver and the black wire of the Normal Driver to the wall switch (optional) as shown on the diagram. The maximum line current for the luminaire(s) can not exceed 5A. If total load current is greater than 5A contact factory for additional wiring diagrams

## Step 3. LED Indicator / Test Switch and Battery Connector

- Mount LED Indicator / Test Switch in a location that is visible and accessible by maintenance personnel – in the fixture housing or remote on test switch plate.
- Plug in Quick Connect Illuminated Test Switch with the LED Emergency Driver.
- After normal power has been restored to the fixture, connect the battery connector.

For Technical Assistance  
Call the Tech Support Hotline  
1-877-774-4775

Or email

Tech.Support@AssuranceLighting.com

