

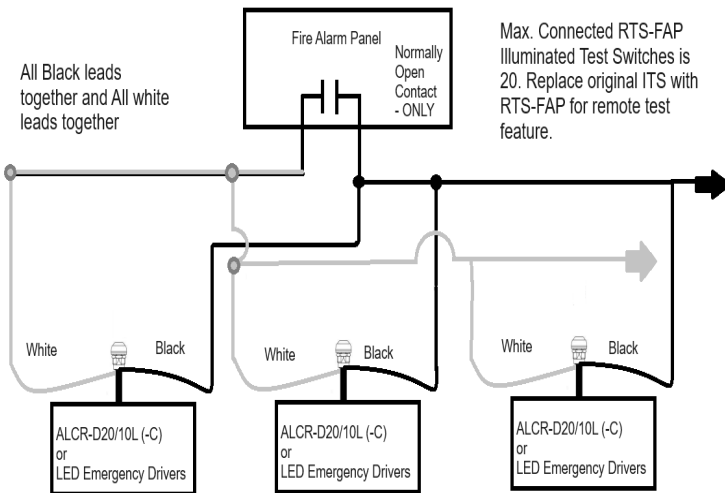
RTS-FAP

Remote test Switch for Fire Alarm panel Wiring
 for select products: Only for use with ALCR-D20L-C, ALCR-D20L,
 ALCR-D10L, ALCR-D10L-C, LED Emergency Drivers Listed



Specifiers reference:

Project: _____
 Type: _____
 Model #: _____
 Comments: _____



Typical Wiring Diagram

Description

The Assurance Emergency Lighting Remote Test Switch for Fire Alarm Panels - RTS-FAP replaces the existing plug and play test switch on select ALCR and LED Em Drivers to allow for remote fire alarm testing of emergency units. The two lead wires from the test switch are connected to a fire alarm panel dry NO contacts. When the the fire alarm panel test is activated, the NO contacts close and force a test of the associated ALCRs or LED Em drivers. Up to 20 RTS-FAP test switches can be parallel connected to one NO dry contact on a fire alarm system. Do not use with other products not listed below. The RTS-FAP can be supplied with a Optional 2x4 Blank wall plate.

The RTS-FAP can be used with the following units:
 ALCR-D20L-C, ALCR-D20L, ALCR-D10L, ALCR-D10L-C
 L5-CEC, All L10- Series, All L14 Series, L20-DC-CEC, All L30 Series
 LED Emergency Drivers.



RTS-FAP

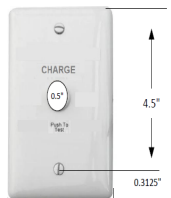


Plate mounts to standard 1 Gang Electrical Switch Box
 Test switch not included.

Optional Blank Wall Plate

All Specifications subject to change without prior notifications.

Assurance Emergency Lighting, a division of Assurance Engineering LLC

Assurance Engineering LLC · 357 Cumberland Street · Memphis, TN 38112 · 1-877-774-4775 · www.assurancelighting.com