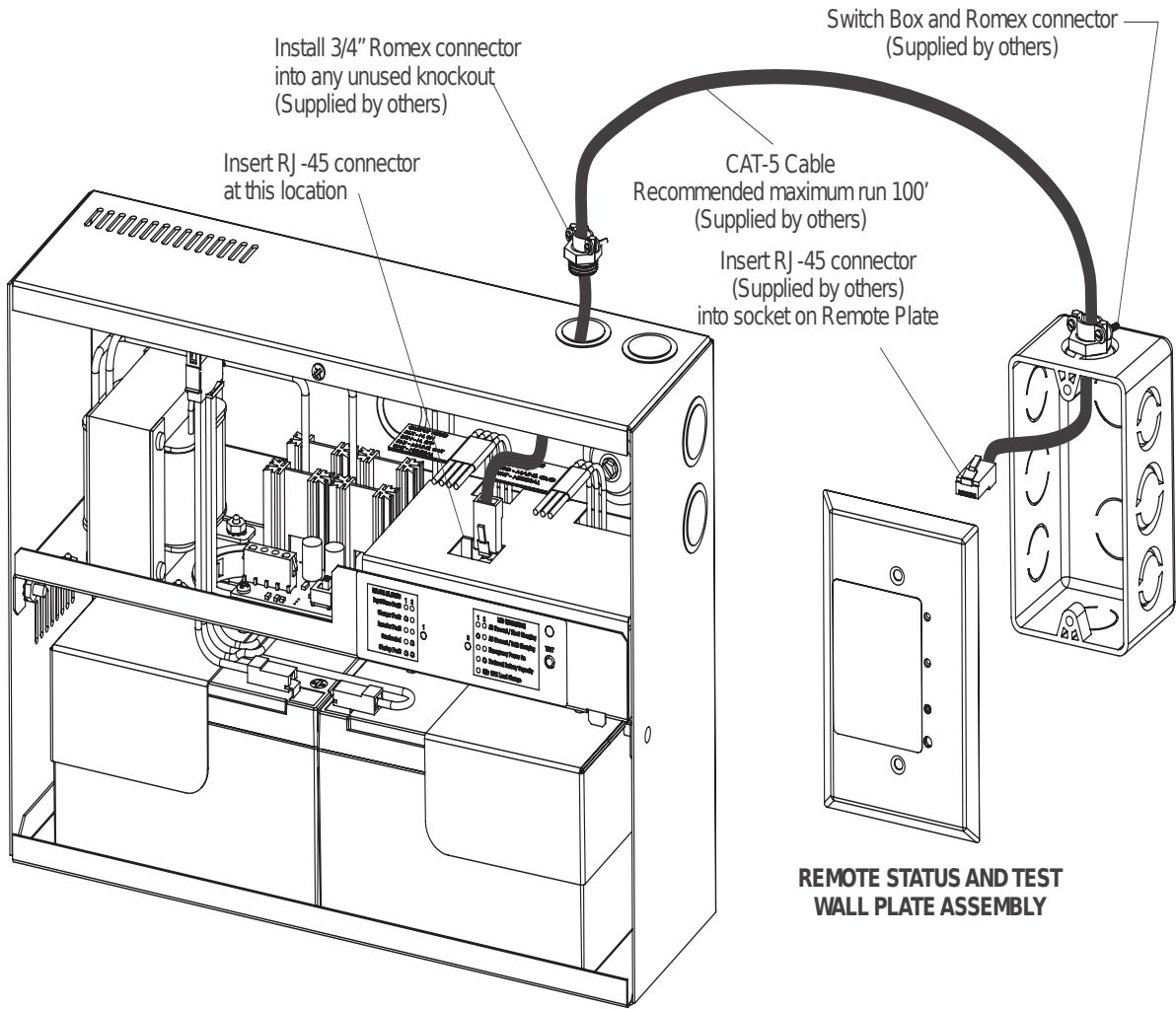


# RTS-M

## Si-125 & Si-250 Remote Test Monitor

### INVERTER REMOTE STATUS AND TEST PANEL WIRING INSTRUCTIONS



**“NOT INTENDED FOR NETWORK CONNECTION”**

Note: RJ-45/CAT-5 cable is used for direct connection from Inverter to Remote Display only.

### RTS-M Features:

- System status display, test buttons, self-diagnostic LED Indicators, buzzer and system status LED's
- Easy to read monitor plate details and status
- Remote display installs easily in a standard switch box
- Quick interconnect from inverter to remote test panel with Cat. 5 cable (not provided)
- RJ 45 connection points provided on inverter and remote test display PC boards
- Remote Test Display can be mounted up to 100' from the inverter,
- Suitable for wall or ceiling mounting