

ASR120 (120 Vac, 24 Vac/Vdc)
ASR277 (208-277Vac, 24Vac/Vdc)

Emergency Lighting and Power Equipment
ASR Shunt-Bypass Relay

Installation

1. Turn OFF Normal Power and Transfer Power.
2. Wire relay according to wiring diagram.
3. Energize Transfer Power. Emergency Light should illuminate.
4. Energize Normal Power. Emergency Light will turn OFF.
5. Turn ON Emergency (Zone) Controller. Emergency Light will illuminate.

Operation and Inspection

1. Ensure Normal Power and Transfer Power are energized.
2. Red LED will be illuminated.
3. Turn OFF Normal Power. Red LED will turn OFF.
4. Emergency Light will illuminate.

ASR120

Coil Input Ratings

- 22 mA @24 Vdc
- 29 mA @24Vac, 50-60 Hz
- 28 mA @120Vac, 50-60 Hz

Contact Ratings

- 10 A General Use @277 Vac
- 10 A Resistive @ 30Vdc
- 1/2 HP @120/240 Vac (N/O)
- 1/3 HP @120/240 Vac (N/C)
- B300 Pilot Duty

ASR277

Coil Input Ratings

- 22 mA @24 Vdc
- 29 mA @24Vac, 50-60 Hz
- 32 mA @208-277Vac, 50-60 Hz

Contact Ratings

- 10 A General Use @277 Vac
- 10 A Resistive @ 30Vdc
- 1/2 HP @120/240 Vac (N/O)
- 1/3 HP @120/240 Vac (N/C)
- B300 Pilot Duty

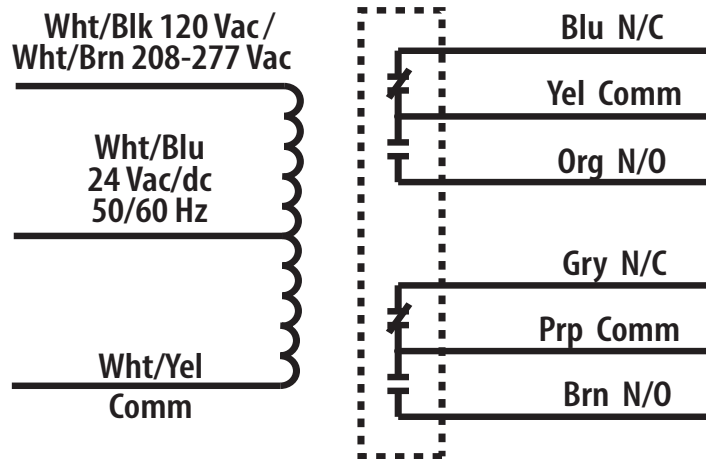
IMPORTANT SAFEGUARD: INSULATE UNUSED LEADS INDIVIDUALLY

When using electrical equipment, basic safety precautions should always be followed including the following:

READ AND FOLLOW ALL SAFETY INSTRUCTIONS

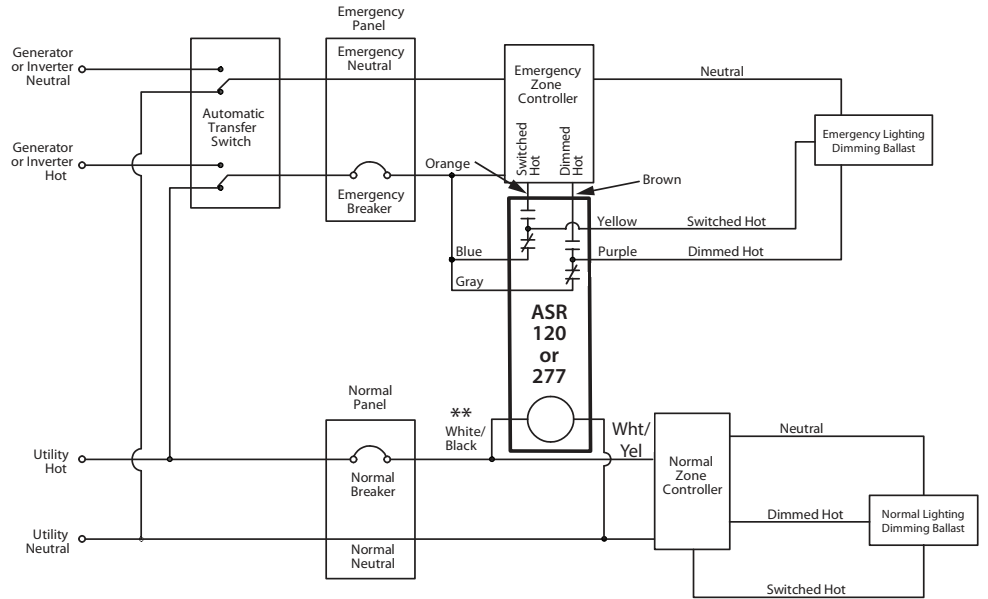
1. Do not use outdoors.
2. Do not mount near gas or electric heaters.
3. Equipment should be mounted in locations and at heights where it will not readily be subjected to tampering by unauthorized personnel.
4. The use of accessory equipment not recommended by the manufacturer may cause an unsafe condition.
5. Do not use equipment for other than intended use.
6. Servicing of this equipment should be performed by a qualified service personnel.

SAVE THESE INSTRUCTIONS.



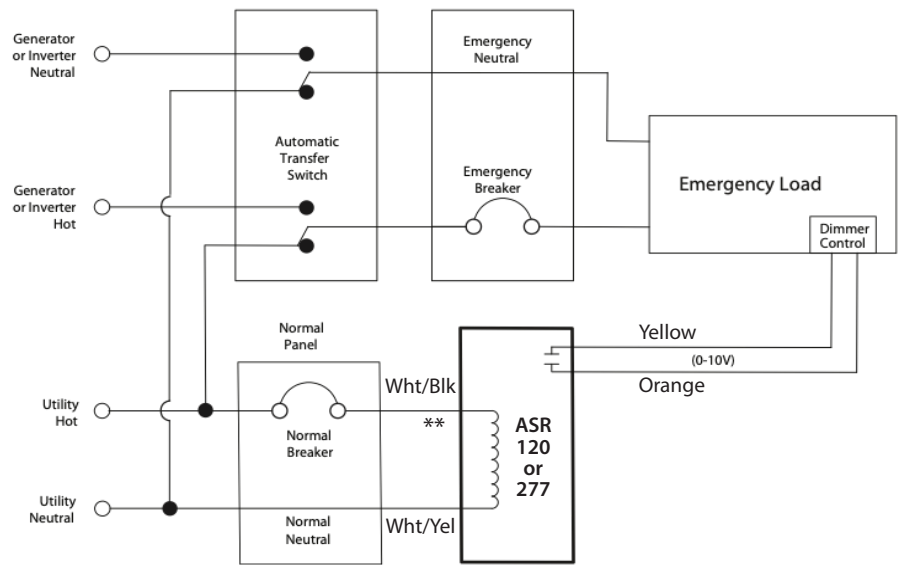
ASR for Line Voltage Dimmer Bypass EM Circuit

** 120- wht/blk
277- wht/brn



ASR Single 0-10Vdc Bypass

** 120- wht/blk
277- wht/brn



ASR Bypass with 2 EM Switched Circuits

** 120- wht/blk
277- wht/brn

