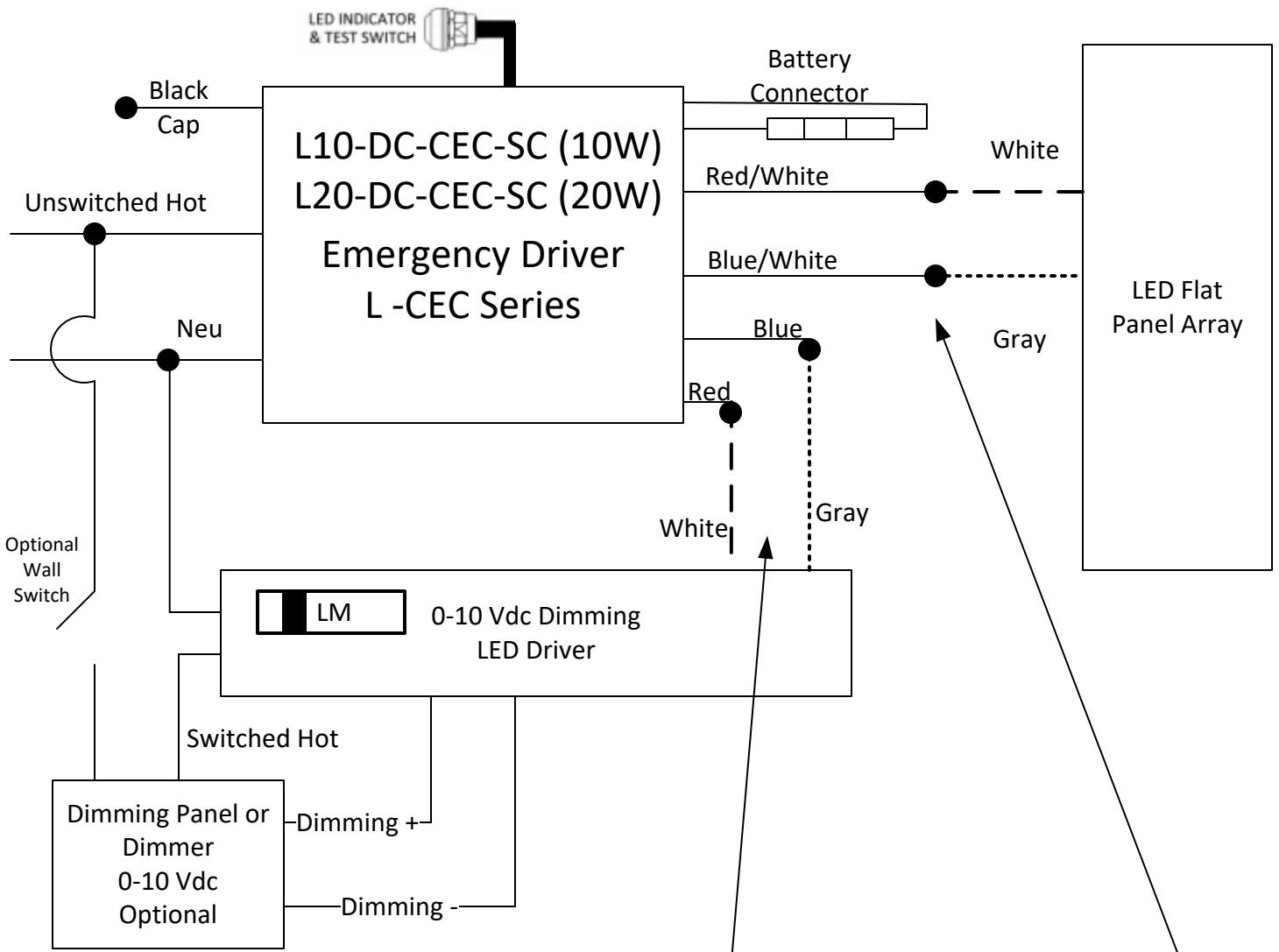


**Flat Panel Wiring –  
CBT22-LS, CBT14-LS, CBT24-LS or similar  
Driver: LP-UP20LPNN-1050 or similar**



**Hubbell Flat Panel  
CBT Luminaire Wiring**

**Note:**

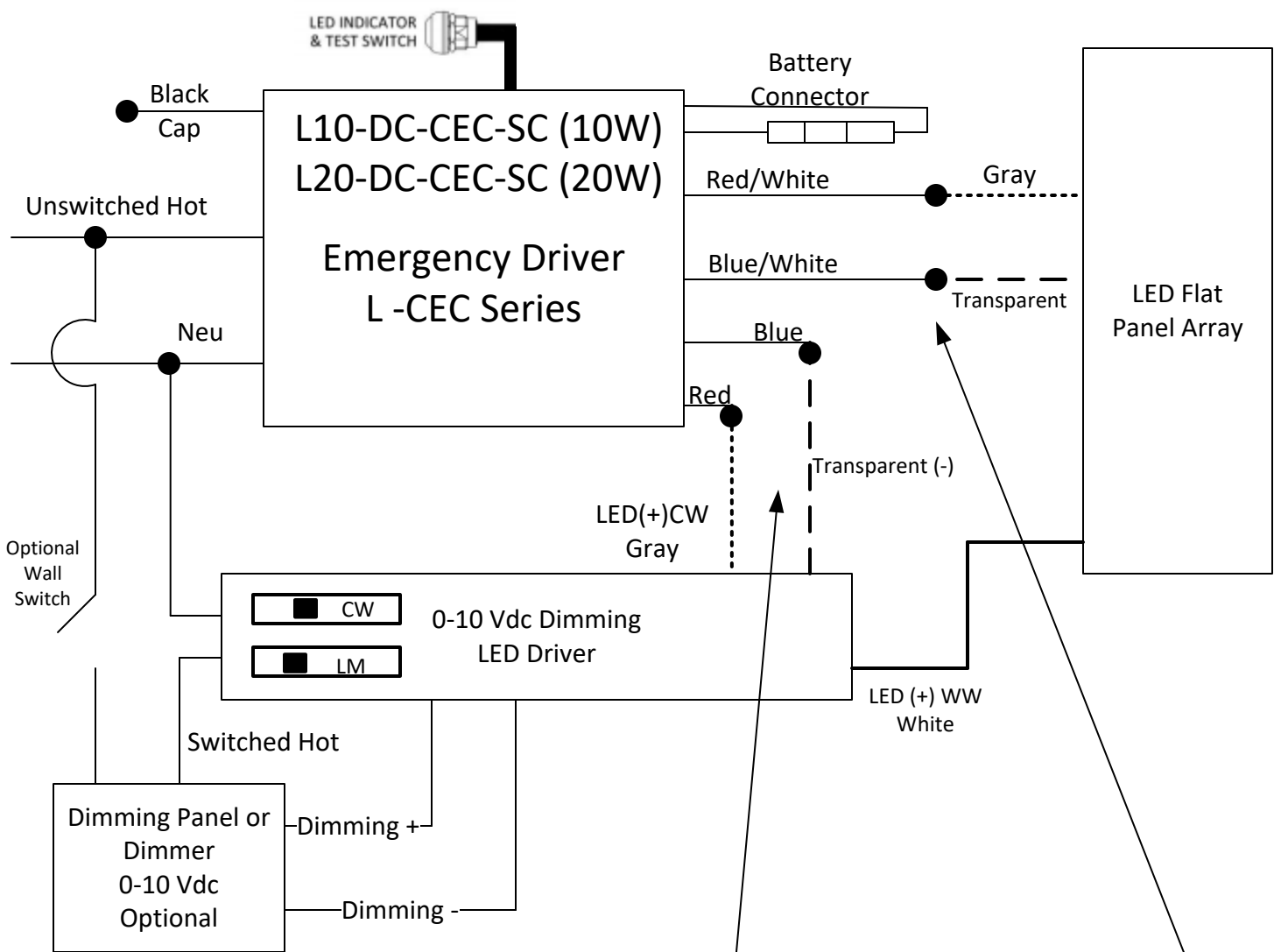
The AC Driver output leads are White(+) and Gray (-). These must be cut and wired as shown to the L Series LED EM Driver.

The AC driver side output White is to be connected to the Red EM wire and the Gray AC driver side output is now to be connected to the Blue.

The Load side to the flat panel array will then be connected with White to EM Red/White and Gray to EM Blue/White.

**The AC Driver dimming leads are Violet and Gray also. Do not connect this gray to the EM Driver!**

**Flat Panel Wiring –  
CBT 24-LSCS or similar  
LED AC Driver : 048M036S2 or similar**



**Hubbell Flat Panel  
CBT LSCS or similar Luminaire Wiring**

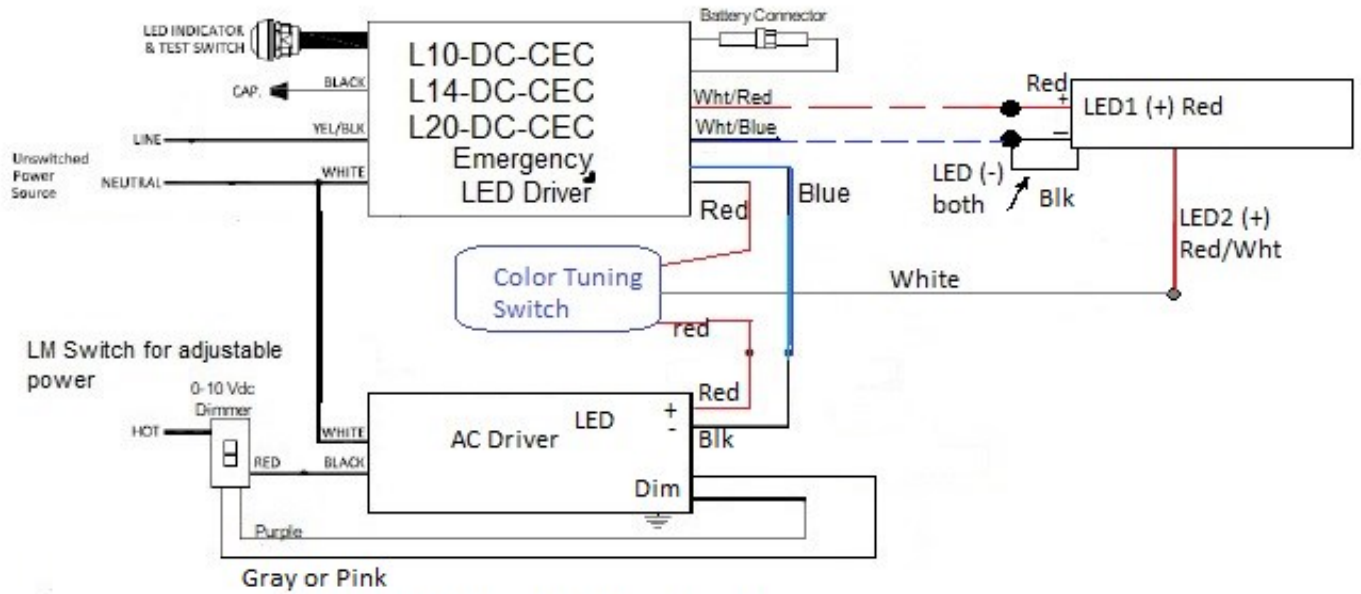
**Note:**

The AC Driver output leads are Gray (+) and Transparent (-). These must be cut and wired as shown to the L Series LED EM Driver.

The AC driver side output Gray is to be connected to the Red EM wire and the Transparent AC driver side output is now to be connected to the Blue.

The **Load side** of the flat panel array will then be connected with Gray to EM Red/White and Transparent to EM Blue/White.

**The AC Driver dimming input leads are Violet and Gray also. Do not connect this gray to the EM Driver!**



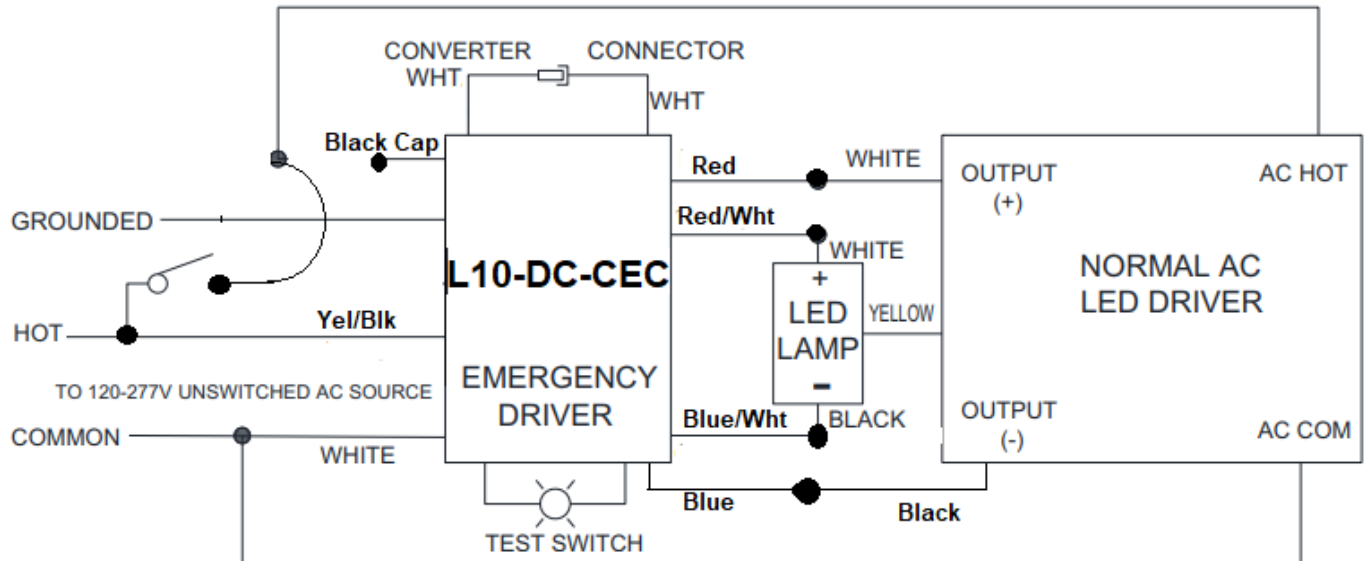
CFP-LSCS Edge Lit Flat Panel  
Switchable Lumen & CCT



## MaxLite® FlatMAX™ LED Flat Panels

Assurance Emergency Lighting  
**Emergency Backup Model Option**

- Verified MLFP22G418WCSCR  
MLFP24G427WCS  
Selectable CCT &  
Selectable Wattage

**Emergency Battery Backup Option Wiring Diagram**

Luminaire operates at 5000K when EM is active

**Optional Models**

- L10-DC-2H
- L14-DC-CEC
- L20-DC-CEC (when luminaire is set at greater than 20W Normal power)