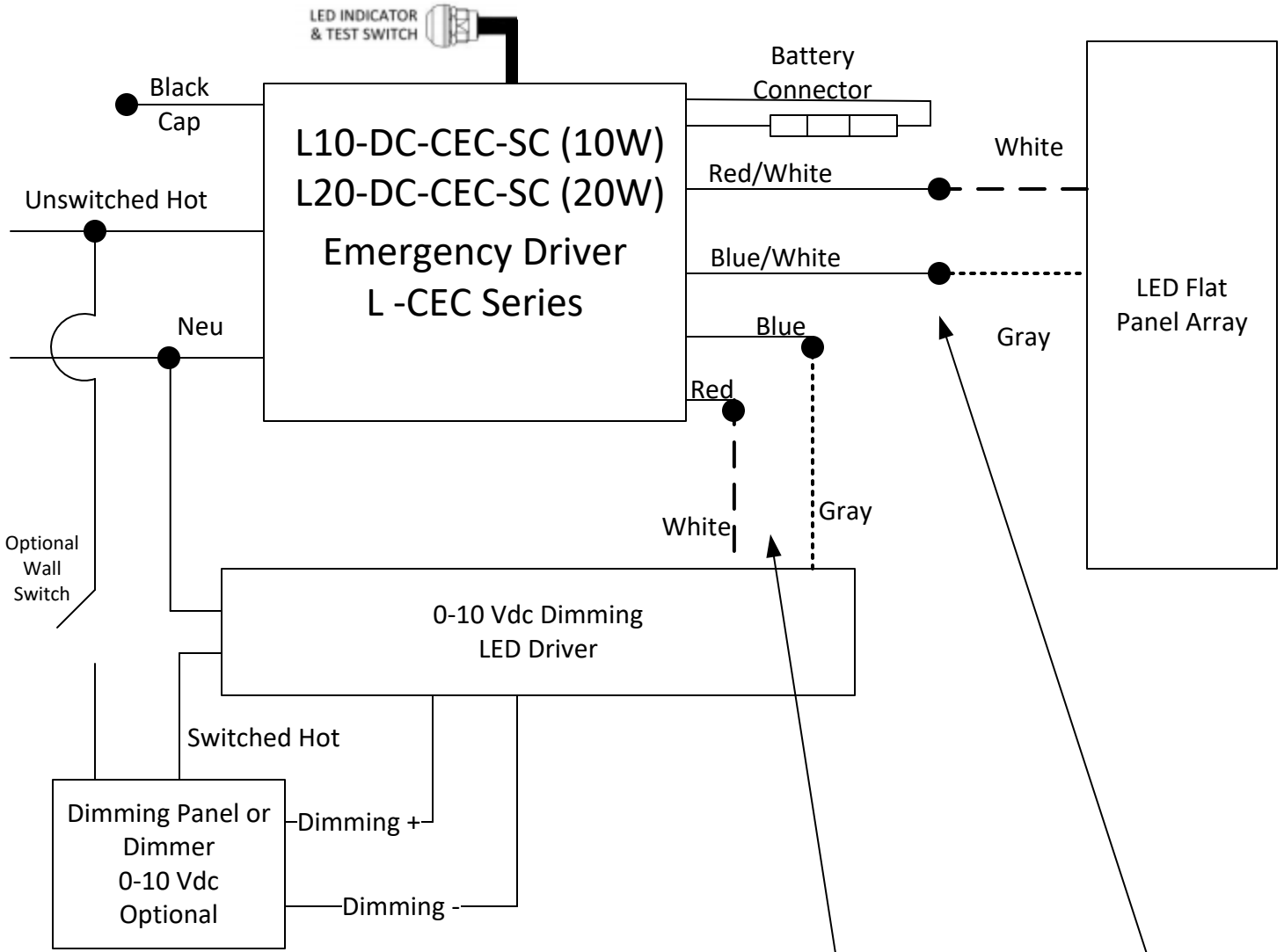


**Flat Panel Wiring –
CBT22-LS, CBT14-LS, CBT24-LS or similar
Driver: LP-UP20LPNN-1050 or similar**

Call 1-877-774-4775 for Technical Assistance



**Hubbell Flat Panel
CBT Luminaire Wiring**

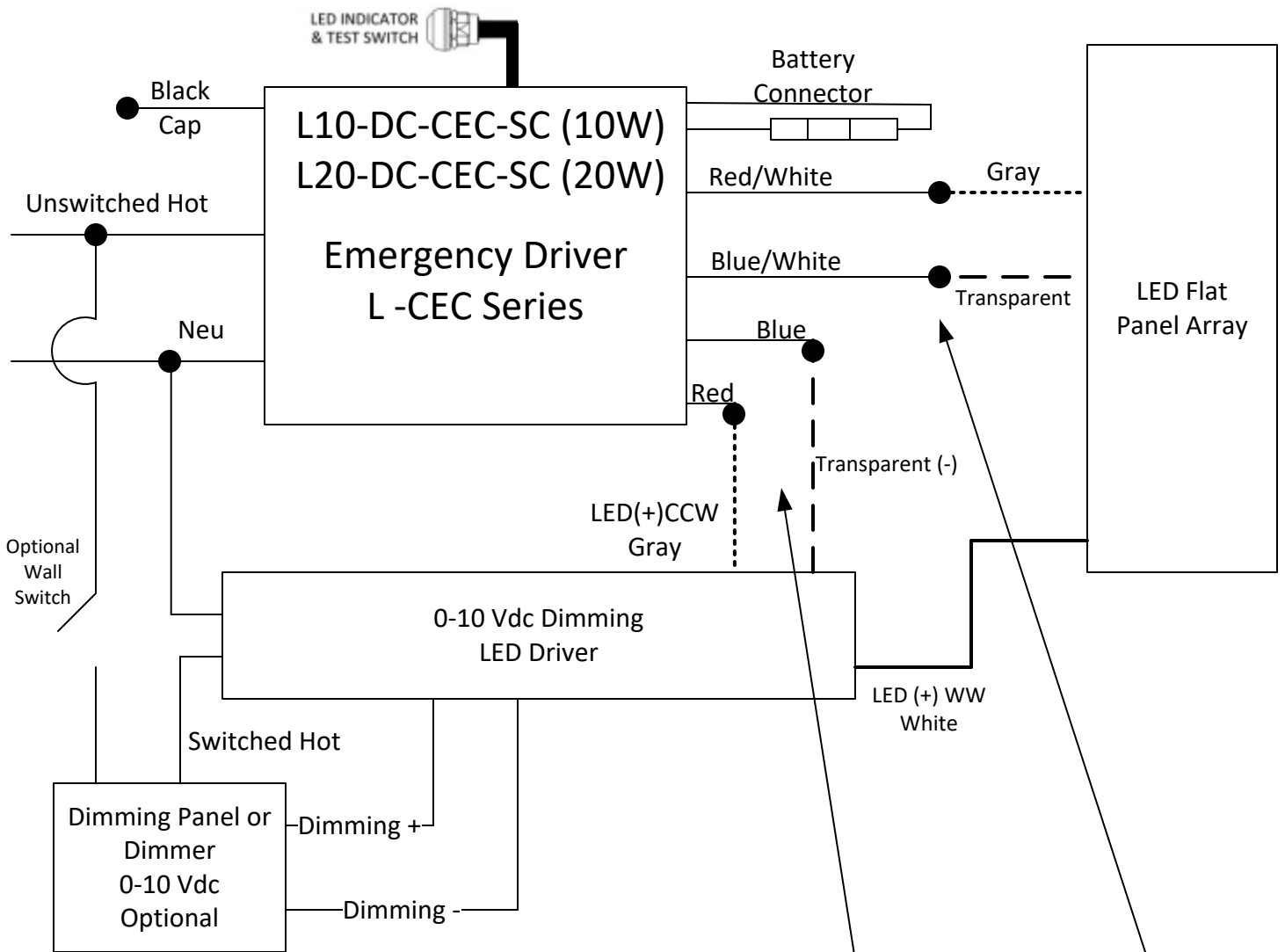
Note:
The AC Driver output leads are White(+) and Gray (-). These must be cut and wired as shown to the L Series LED EM Driver.
The AC driver side output White is to be connected to the Red EM wire and the Gray AC driver side output is now to be connected to the Blue.

The Load side to the flat panel array will then be connected with White to EM Red/White and Gray to EM Blue/White.

The AC Driver dimming leads are Violet and Gray also. Do not connect this gray to the EM Driver!

**Flat Panel Wiring –
CBT 24-LSCS or similar
LED AC Driver : 048M036S2**

Call 1-877-774-4775 for Technical Assistance



**Hubbell Flat Panel
CBT Luminaire Wiring**

Note: Driver Model 048M036S2
The AC Driver output leads are Gray (+) and Transparent (-). These must be cut and wired as shown to the L Series LED EM Driver.
The AC driver side output Gray is to be connected to the Red EM wire and the Transparent AC driver side output is now to be connected to the Blue.

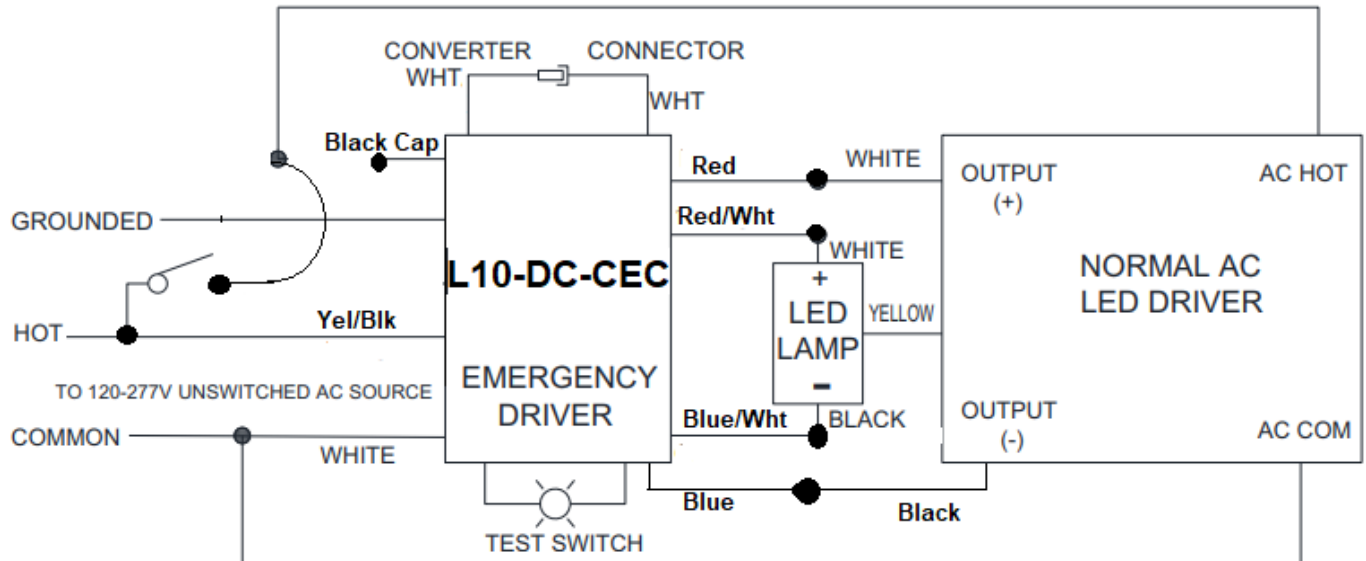
The Load side of the flat panel array will then be connected with Gray to EM Red/White and Transparent to EM Blue/White.

The AC Driver dimming input leads are Violet and Gray also. Do not connect this gray to the EM Driver!

MaxLite® FlatMAX™ LED Flat Panels

Assurance Emergency Lighting
Emergency Backup Model Option

- Verified MLFP22G418WCSCR
MLFP24G427WCS
Selectable CCT &
Selectable Wattage



Emergency Battery Backup Option Wiring Diagram

Luminaire operates at 5000K when EM is active

Optional Models

- L10-DC-2H
- L14-DC-CEC
- L20-DC-CEC (when luminaire is set at greater than 20W Normal power)