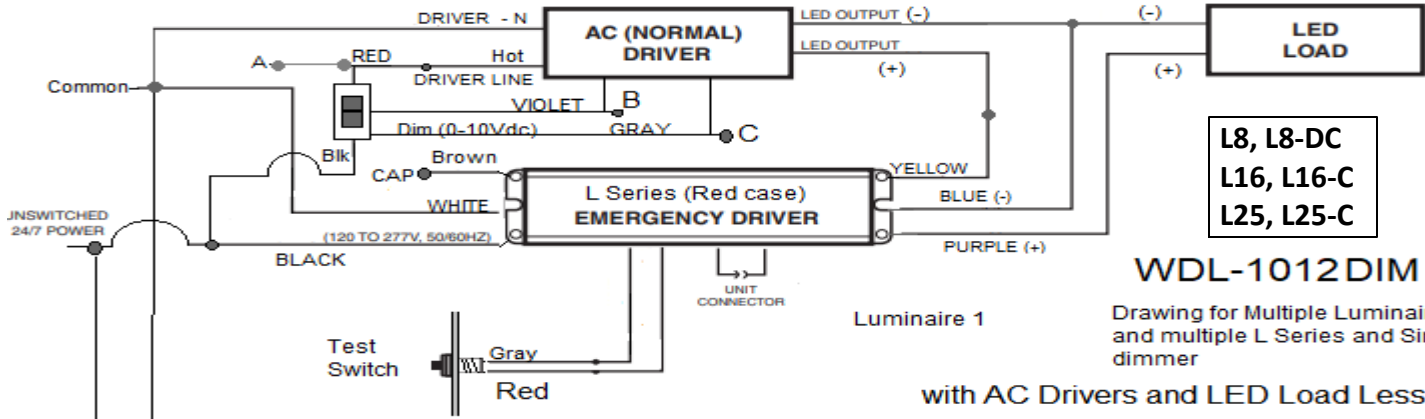


Wiring Diagram for AC Driver and LED Loads less than 70W



Less than 70W

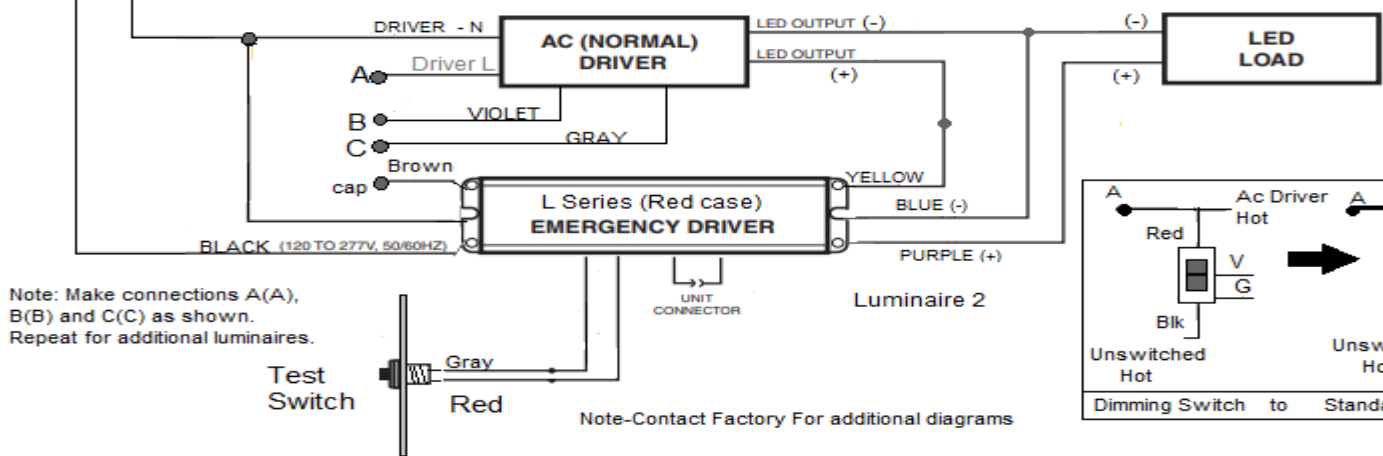
L8, L8-DC
L16, L16-C
L25, L25-C

WDL-1012 DIM

Drawing for Multiple Luminaires and multiple L Series and Single dimmer

with AC Drivers and LED Load Less than 70W

Wiring for AC Drivers and LED Loads LESS than 70W

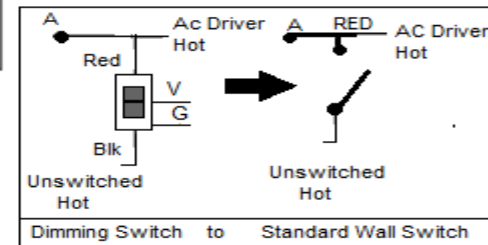


Less than 70W

L8, L8-DC
L16, L16-C
L25, L25-C

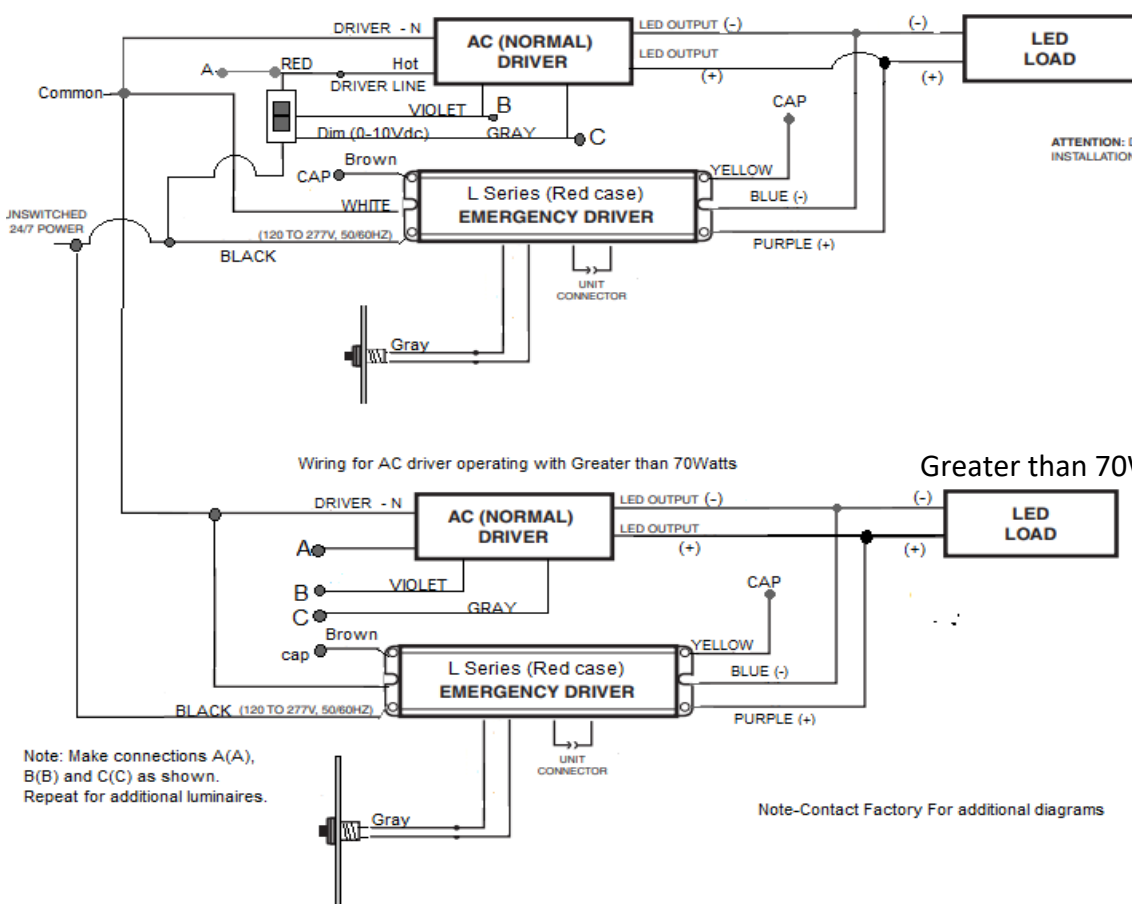
Note: Make connections A(A), B(B) and C(C) as shown. Repeat for additional luminaires.

Note-Contact Factory For additional diagrams



WDL-1012DIM+70

Wiring for AC driver operating with Greater than 70Watts



Greater than 70W

ATTENTION: DO NOT MATE UNIT CONNECTOR UNTIL INSTALLATION IS COMPLETE AND AC POWER IS SUPPLIED.

** DRAWING FOR SINGLE L SERIES SINGLE DIMMER

NOTE- USE DRAWING WDL-1000 FOR MULTIPLE LUMINAIRES WITH A SINGLE SWITCH APPLICATION.

USE WDL-1002 FOR MULTIPLE DIMMED LUMINAIRES WITH A SINGLE DIMMING SWITCH APPLICATION.

Note: Make connections A(A), B(B) and C(C) as shown. Repeat for additional luminaires.

Note-Contact Factory For additional diagrams

Greater than 70W

L8, L8-DC
L16, L16-C
L25, L25-C
Wiring with Dimming AC Drivers and LED Loads greater than 70W