

TB-D1020 Remote Test Button



The TB-D1020 is a momentary push button to be used to remotely test the ALCR-D5,-D10, and -D20 Emergency Lighting Automatic Load Control Relays. It can either be installed directly to the ceiling or to a standard 4" x 4" round or octagonal Junction Box. The two wire terminations connect directly to the ALCR-D5, -D10 and -D20 Class 2, dry contact "Remote Test Input."

Note: The TB-D1020 is only to be used with models ALCR-D5, ALCR-D10 and ALCR-D20 Emergency Lighting Automatic Load Control Relays.

Acceptable Wiring: 18-24 AWG, Solid or Stranded with at least ¼" stripped

Wiring Terminations: There are no screws to tighten or tabs to press in order to install the wiring. Wiring is done by inserting the wire through the hole on the circuit board.

Direct-mount to Ceiling (fig. 1): Mount directly to surface by cutting appropriate sized wiring hole (1 ½" square or round hole minimum; 2 ½" square or round hole maximum.) Screw TB-D1020 to the surface using the provided screws or other screws of installer's choice.

Junction Box (fig. 2): 4" round or 4" x 4" octagonal with #8 cover plate screw holes. Cover plate screw holes must be 3 ½" apart.

Included Hardware: Two (2) #8 self-drilling screws. Screws have white oval Phillips heads and ¼" grip.

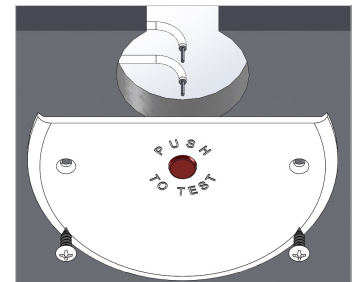
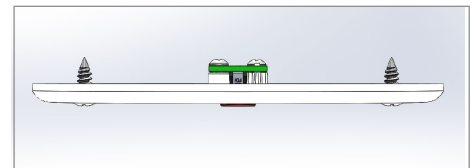


Figure 1

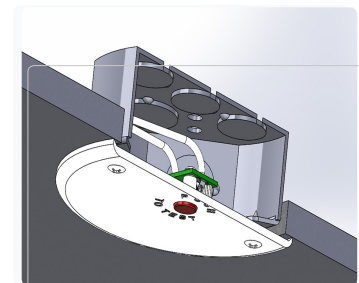
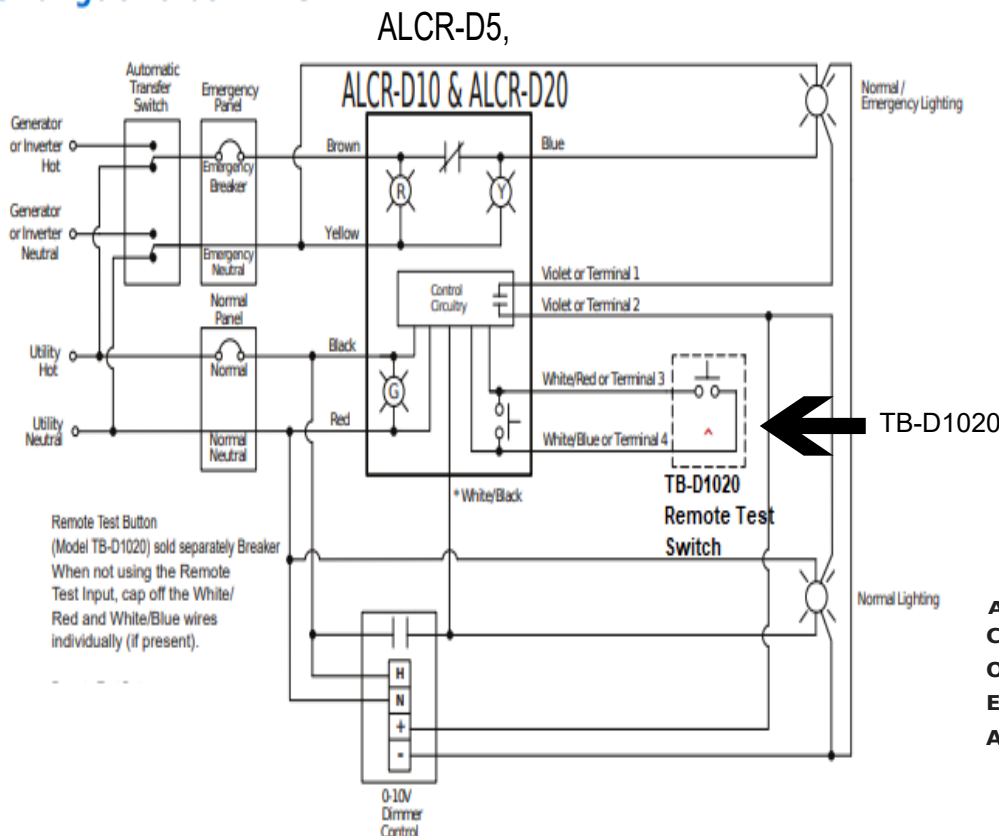


Figure 2

Overriding a 0-10Vdc Dimmer



- Actuator:** Red momentary pushbutton
- Color:** White
- Overall Diameter:** 4 ⅜"
- Expected Life:** 200,000 cycles minimum
- Approvals:** UL924