

ELCD-FD

Emergency Lighting Automatic Load Control Relay
Wall Plate Version with Fire Alarm interface (12-24 V AC/DC)



Specifiers reference:

Project: _____
 Type: _____
 Model #: _____
 Comments: _____

Product Summary

- Approvals** UL Listed to UL924
- Normal Power Supply Voltage** 120-277 Vac
- Normal Power Supply Frequency** 50/60 Hz
- Normal Supply Current Usage** 24 mA (max)
- Emergency Power Supply Voltage** 120-277 Vac
- Emergency Power Supply Frequency** 50/60Hz
- Relay Contact Ratings (SPST)** 20A
 Electronic and Magnetic Ballast
 and Tungsten loads @277 Vac
- 0-10 Dimmer Vdc and DALI Override** ... for emergency full illumination
- Dimmer contact switching** 130mA @250V max.
- Operation and Status Indicators** Green, Green & Red
- Remote Test Input** 12-24 V AC/DC Fire Alarm
- Weight** 0.28lbs.
- Mounting** 4" J- Box configuration- See Installation details
- Dimensions** 1.73" W" x 1.73" D x 2.72" H
- Operating Temperature** 32° to 122° F (0° to 50° C)

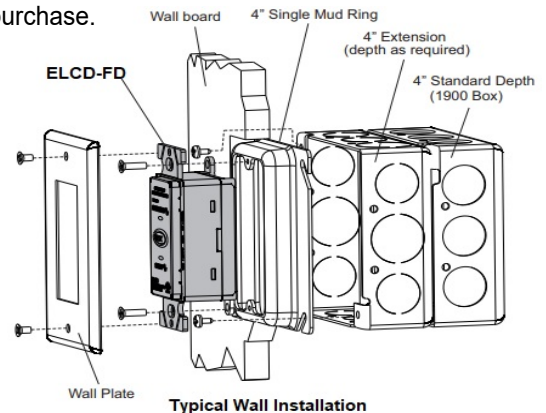
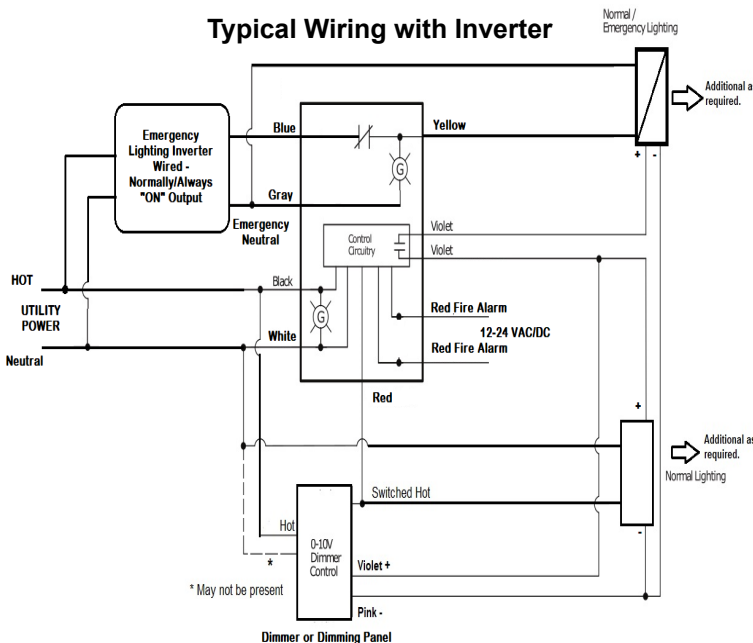
Description

The Assurance Emergency Lighting automatic load control/ bypass relay ELCD-FD allows the use of auxiliary generators and inverters to turn ON switched lighting fixtures in the event of a power failure or emergency situations.

Specifications

Emergency lighting shall be provided by using existing lighting loads equipped with an Assurance Emergency Lighting ELCD-FD control device. The device shall be capable of serving as an Automatic Load Control Relay or bypass for the local switching means when normal utility power has been lost. The ELCD-FD shall consist of relay switching circuitry, an integral test switch, a normal power indicator light and an alternate power indicator light contained single enclosure. It shall be installed in a 4" Junction Box configurations (See Installation Instructions). It shall sense normal power at 120 through 277 VAC, 50/60 Hz; shall be rated to switch 120 through 277 VAC, 50/60 Hz at up to 20 amps (@277 VAC) for electronic or magnetic drivers/ballast, and 10 amps for tungsten (@120 VAC) lighting loads. It shall be compatible with 0-10 Vdc dimming drivers and allow for override for full illumination.. The device shall have remote test inputs for 12-24 VAC/Vdc for fire alarm panel contact testing. It shall comply with current National Electrical Codes and be UL Listed (UL924) for field installation in indoor or damp locations and shall be warranted for a full five years from date of purchase.

Typical Wiring with Inverter



Assurance Emergency Lighting, a division of Assurance Engineering LLC

Assurance Engineering LLC · 357 Cumberland Street · Memphis, TN 38112 · 1-877-774-4775 · www.assurancelighting.com
 04182023