

# Si-50-PST Typical Wiring Diagrams—Supplement

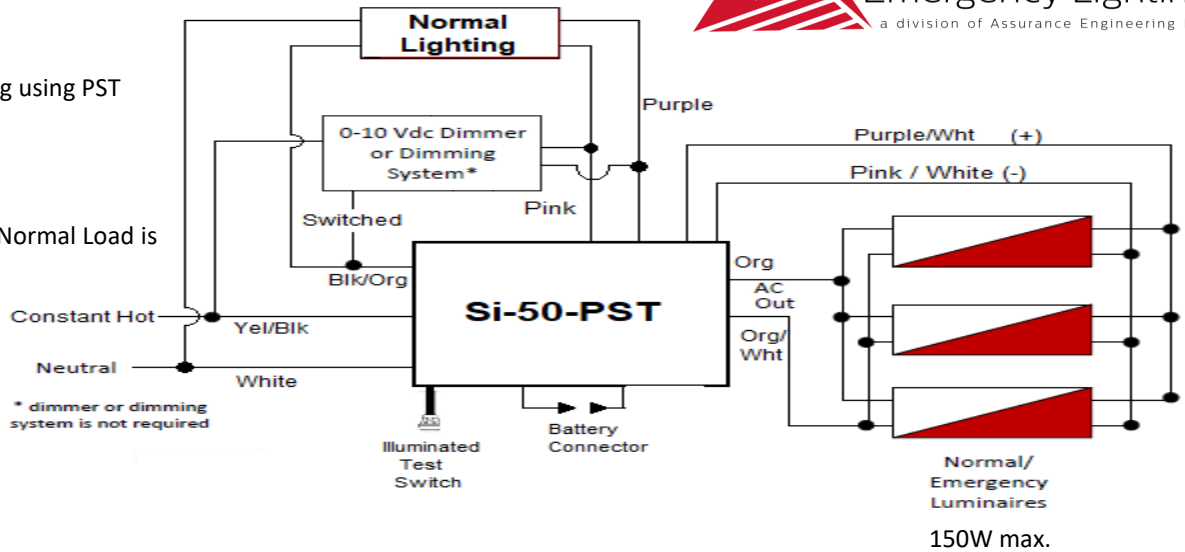


**Figure 1**

0-10 Vdc Dimming using PST feature

0-10 Vdc dimmer

Max. Connected Normal Load is 150W



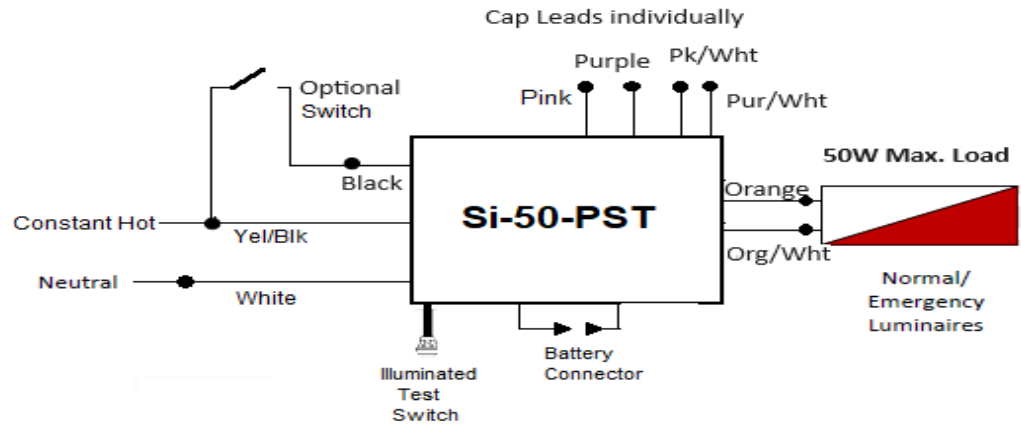
**Figure 2**

Simple Inverter

No 0-10 Vdc Dimming

Max. load is 50W

Optional switch can be line V dimmer.



**Figure 3**

High Power load greater than 50W ( normal load max. 150W ) , using 0-10 Vdc leads to AC drivers.

No dimmer—Must use PST dimming leads to AC driver.

